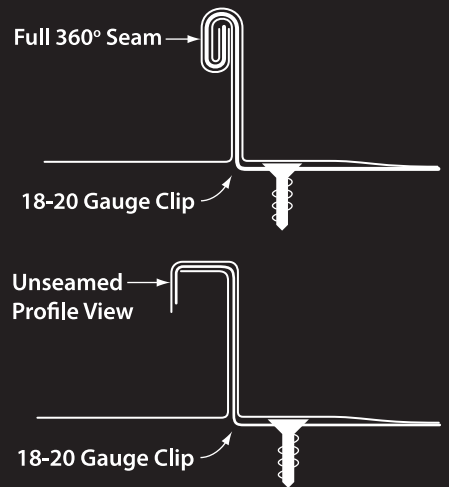
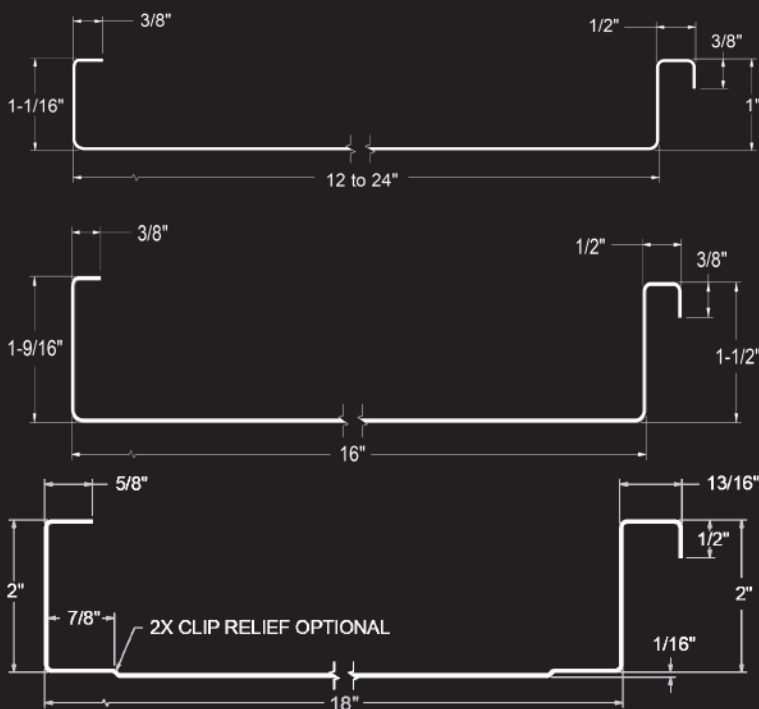
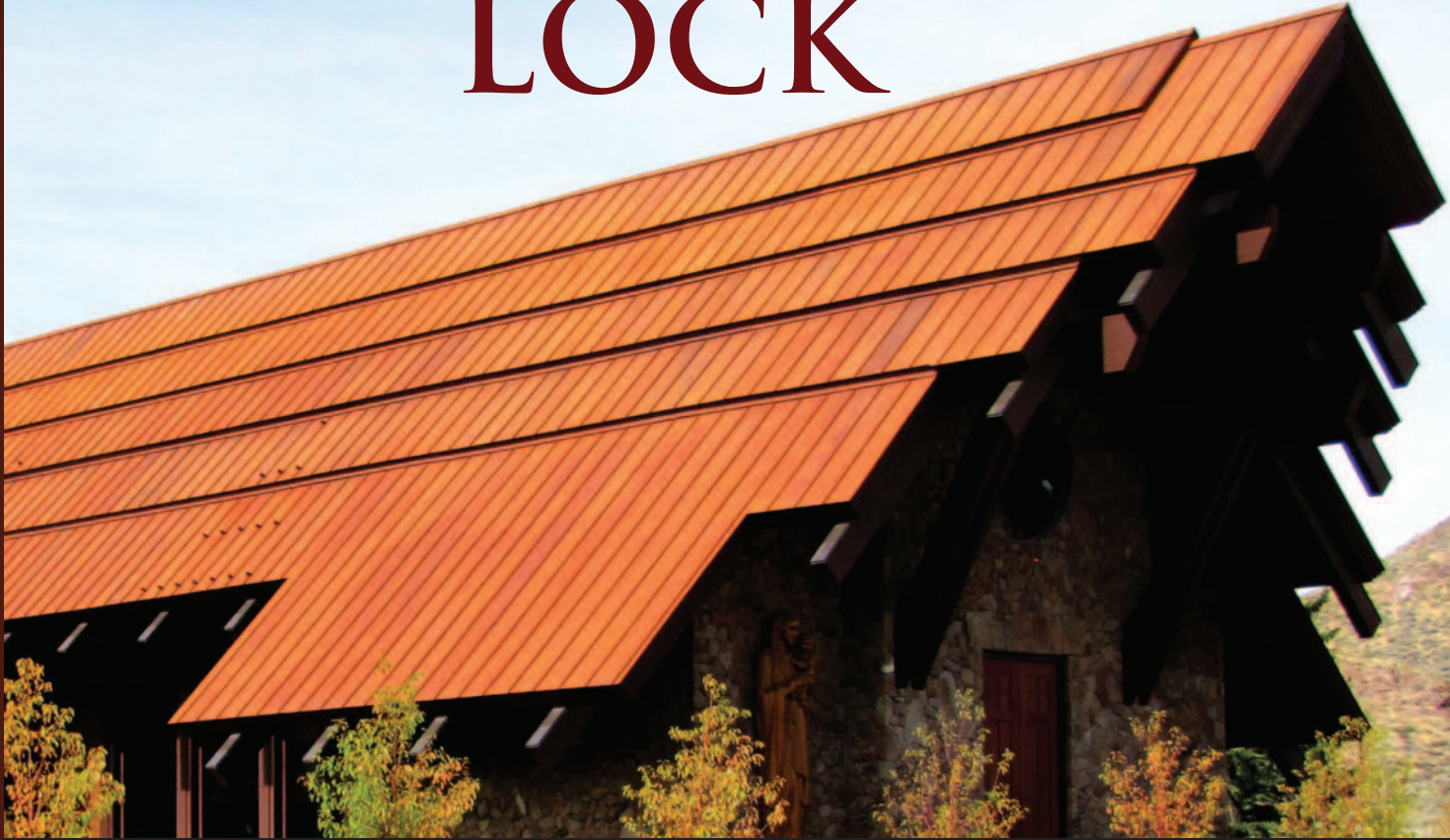


EPIC STEEL MECHANICAL LOCK



EPIC STEEL

MECHANICAL LOCK

Table of Contents

General Notes

Claims	1
Returns	1
Storage	1
Handling	1
Foot Traffic	1
Safety	2
Field Cutting Panels	2
Condition of Substrate and Structure	2
Tools & Equipment	3
Roof Maintenance	3
Paint Warranty	3
Installation	4
Fastener and Selection Guide	5-6
Material Specifications	7

Flashing Details

Seaming Panels	8-9
Hem Lengths	10
Trim Profiles	11
Style D Eave	12
Style D Eave With Gutter	12
Venting Hip / Ridge	13
Hip / Ridge	13
Locking Sidewall	14
Locking Endwall	14
W - Valley	15
Locking Gable	15
Prow Gable	16
Style D as Gable	16
High Eave	17
Style D as High Eave	17
Standing Seam Upper Transition	18
Standing Seam Lower Transition	18
Locking Inside Corner	19
Locking Outside Corner	19
Standing Seam Window Drip	20
Standing Seam Base Trim	20
J - Metal Trim	21
Header / Sill Trim	21
Penetration Detail	22

EPIC STEEL

MECHANICAL LOCK

INFORMATION

This guide has been provided as a reference and helpful tool for installing Epic Steel's Mechanical Lock. The installation details shown may not apply to all building designs, codes, or product applications. It is the responsibility of the installer to ensure the details meet code in his/her area.

Epic Steel reserves the right to change any information in this guide, at any time, without notice. If you have any questions or concerns, please contact your Epic Steel representative.

CLAIMS

It is the responsibility of the customer to review the condition and quantities of an order upon pick up or delivery. Claims for any shortages or damages must be filed immediately for orders picked up, or within 7 days for orders delivered. Epic Steel will not be held responsible for any claims filed after these time frames.

RETURNS

Epic Steel does not accept returns of any custom ordered materials, special ordered accessories, or fabricated metal products. Only stock accessories may be returned if they are deemed to be in resalable condition. Stock items being screws (full bag quantities), flashers, closures, clips, underlayment, etc. A restocking fee of 15% may be applied to all returned merchandise.

STORAGE

If the metal panels or trim are not used immediately, the metal should be stored in a well ventilated, cool, dry place. This will inhibit moisture build up on the panels and trim, which can lead to white rust.

If the product cannot be stored indoors, elevate one end of the bundle to allow any moisture to run off the panels. Also, a tarp should be loosely wrapped around the bundle, ensuring there is good air flow around the panels. Never store panels in direct contact with the ground.

Epic Steel assumes no responsibility for materials that are not stored properly.

HANDLING

Handle all panels and trim with care to avoid damage. When unbundling panels, do not drag one panel against another. This can cause scratches across the panels. When moving the panels, they should be carried vertically to the ground by grasping the edge of the panel carefully to ensure that no excessive bending occurs. Note, the edge of the panel is sharp, and gloves should always be worn when handling all metal.

When handling trim it is important to do so with care and ease. Many trim profiles are fragile and can be easily damaged if not handled appropriately. It is recommended that the installer or whomever is handling trim wear gloves and use two hands at all times.

FOOT TRAFFIC

Care of metal panels and trim must be exercised throughout installation. Foot Traffic can cause distortion of the panel and damage the finish. Foot traffic should be kept to an absolute minimum. Installers should wear soft soled shoes that will help with traction on the roof and prevent scratching.

When walking on the panels is unavoidable, walk in the flats only. Walking on the major ribs can damage the panel.

EPIC STEEL MECHANICAL LOCK

SAFETY

Safety should be the main concern when installing any metal project. Each job site presents different hazards, on the ground and the roof; therefore, it is the responsibility of the installer to determine the safest way to install the metal.

Personal protective equipment should be used at all times when handling or installing metal panels and trim (i.e. gloves, safety glasses, pants, long sleeved shirts and hard hats).

Always be aware of your surroundings and use fall protection. Never install metal roofing during windy or stormy days. Metal roofing can become slippery when wet or dusty and extra care needs to be taken if these conditions are present. Wind can create hazardous working situations by getting under the metal panel and pulling the installer off the roof. Metal roofing is very sharp and can cause serious bodily injury if handled inappropriately.

If a safety concern exists on a job site, stop work immediately. Always comply with OSHA safety regulations.

FIELD CUTTING PANELS

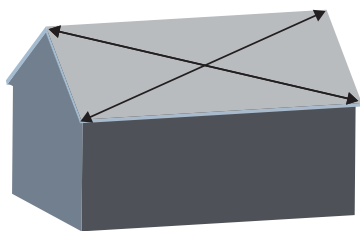
Tin Snips, or a nibbler is recommended for field cutting metal panels and trim. Always wear eye and ear protection when cutting metal. When cutting painted metal, ensure the metal particles and fragments do not end up on the painted surface. Metal particles on the painted surface will result in rusting and pitting in that area. Epic Steel recommends the panels to be turned upside down and all cutting be done looking at the backside of the material. Installers should immediately wipe away any debris from the material after cuts to prevent this problem. Panels should be cut in an area where metal particles do not end up on other panels or building materials.

Failure to remove the metal particles from the panel will void any warranty

CONDITION OF SUBSTRATE AND STRUCTURE

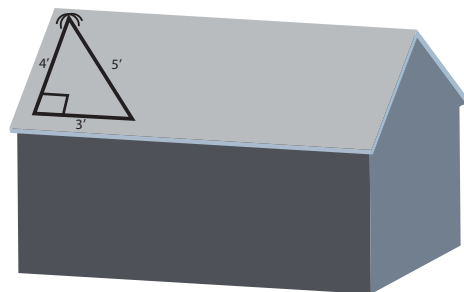
Before the installation process begins, it is critical that the framing and substrate are inspected to ensure that the structure is square and plumb. If it is not, it will have to be corrected. Make sure any structural fixes are done by someone with the proper experience and knowledge. Correct any objectionable warp, waves, or buckles in the substrate before proceeding with panel installation. The roof panels will follow the contour of the structure and may appear irregular if not corrected.

To check the structure for squareness, take two diagonal measurements from the corner to corner. The roof is square if the two measurements are equal.



If the roof is not square, follow the 3-4-5 method to ensure that the panel is being installed square. If the first panel is not installed square, all remaining panels will also be out of square when attached to the structure.

- 1.) To do this, pick a starting point at the bottom corner of the roof, about a foot away. Set a nail there.
- 2.) From the nail, measure exactly 3 feet in the opposite direction along the bottom edge of the roof. Insert another nail in that spot.
- 3.) From the first nail, measure exactly 4 feet up the slope of the roof and draw a small arc.
- 4.) Measure from the second nail up to the arc measuring exactly 5 feet, drawing another arc.
- 5.) Attach a chalk line to the first nail and extend it up the slope to it passes through the intersection of the two arcs.
- 6.) Snap the chalk line. This line is now square with the bottom edge of the roof .
- 7.) Use this line to properly install the first panel square on the roof.¹



¹For larger roofs, this method can be done with multiples of 3,4,5 Example 6', 8', 10'

EPIC STEEL

MECHANICAL LOCK

TOOLS & EQUIPMENT

- Hard Hat
- Gloves
- Safety Glasses
- Ear Plugs
- Fall Protection
- Screw Gun
- Tin Snips
- Tape Measure
- Chalk Line
- Electric Nibbler
- Circular Saw
- Angle Grinder
- Rivet Gun

ROOF MAINTENANCE

Roof maintenance should be done, at the minimum, annually. These steps will ensure that your roof will have a longer lifespan with less maintenance and help prevent costly repairs. It is best to perform roof maintenance when the weather permits safe working conditions.

- Clear all debris off the roof (dirt, rocks, branches, leaves, etc.)
- Clean out all drains and gutters to ensure proper drainage, to prevent water standing.
- Remove any overhanging branches or anything else that could penetrate the roof surface.
- Inspect all areas for leaks and deterioration - pay attention to stains and discoloration of the roof edges and surrounding walls as they are possible indications of a leak.
- Check roof penetrations for possible leaks and cracks in caulking.
- If exposed fasteners have been used to install the roof, it is crucial they are inspected annually.
 1. Check if they are installed correctly.
 2. Ensure that they are not fastened too tight or not tight enough.
 3. Inspect the integrity of the neoprene washer.

Refer to Fastener selection guide on the following pages 5-6.

PAINT WARRANTY

Warrant documents are available upon written request.

Please provide the following information to your local Epic Steel representative.

Product purchased - Including: panel type, width, color and gauge.

Where the product was purchased: Lumber yard, roofing wholesaler, contractor or direct.

When the product was purchased: Date of purchase (must be within 90 days of purchase date)

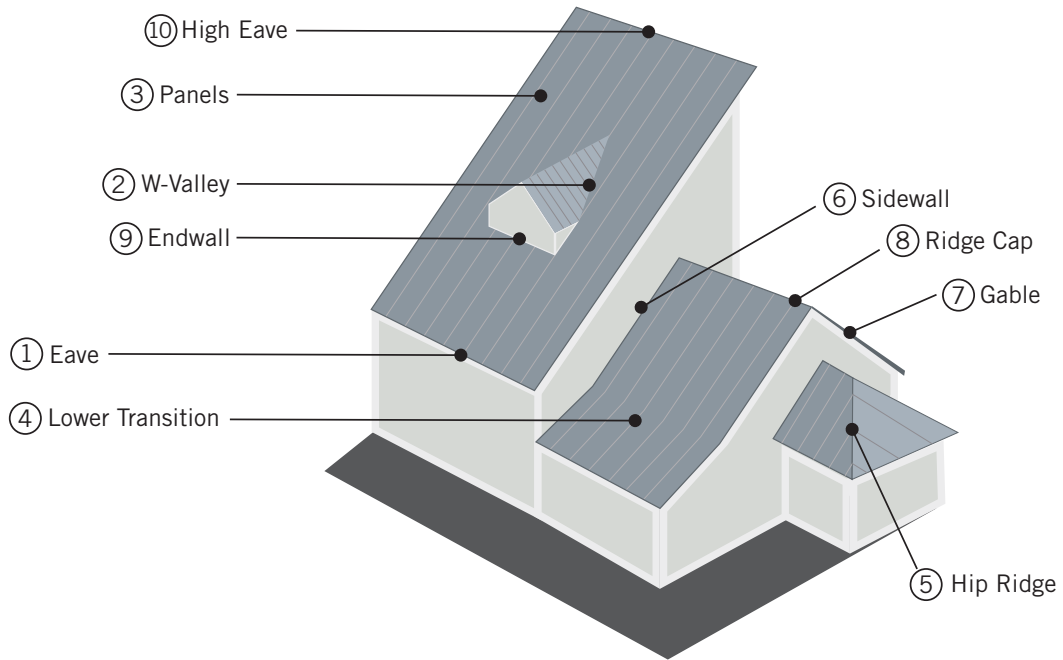
Owners Name and Contact Information:

Project Location: Physical address

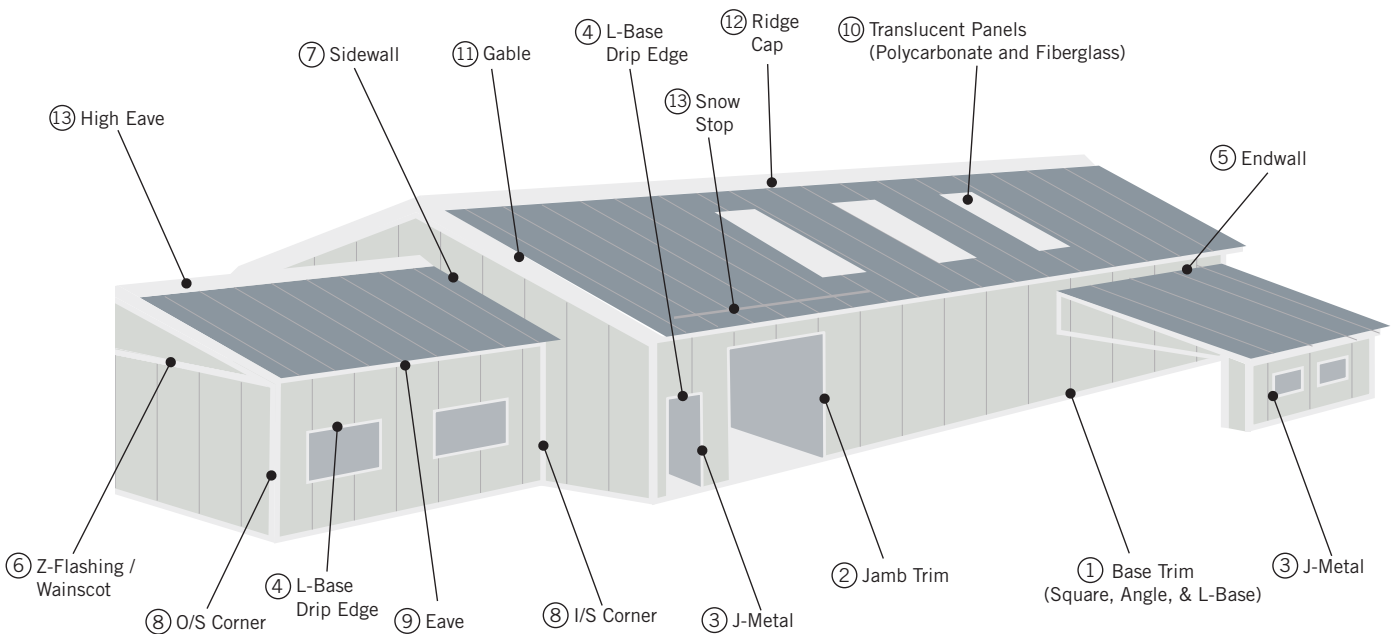
Job Completion Date:

EPIC STEEL MECHANICAL LOCK

INSTALLATION



Installation over shingles is not recommended. It is best to remove shingles and install a new, synthetic underlayment to act as a vapor barrier between the substrate and the metal. If shingles will not be removed, furring strips need to be installed on the roof at 2'-0" centers. The metal panels will then be fastened to the furring strips.



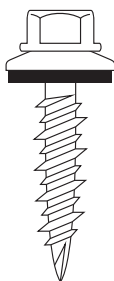
**Components are listed in the order that they are installed.*

**Please contact us for more information.*

EPIC STEEL

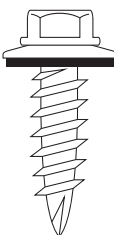
FASTENER SELECTION GUIDE

WOODFAST SCREW



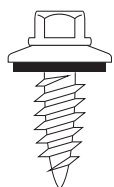
- No. 10 x 15, Type 17
- Available sizes: 1", 1 1/2", 2", 2 1/2", 3"
- 1/4" Hex Head
- Use: Panel to dimensional lumber and trim attachment.

WAFER SCREW



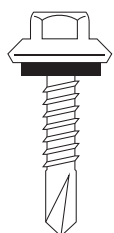
- No. 14 x 10, Type 17
- Available sizes: 1", 1 1/2", 2"
- 5/16" Hex Head
- Use: Panel to plywood/OSB substrate and trim attachment.

STITCH SCREW



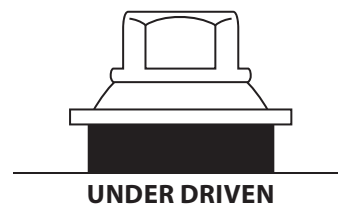
- No. 12 x 14
 - Available size: 3/4"
 - 1/4" Hex Head
 - Use: Trim attachment and stitching lap seams together (29 gauge).
- *Compatible with No. 10 & No. 14 Wood Screws*

TEK SCREW



- No. 12 x 14
- Available sizes: 1", 1 1/2", 2"
- 5/16" Hex Head
- Use : Panel to Purlin (up to 3/16" steel).

PROPER INSTALLATION OF GASKETED FASTENERS

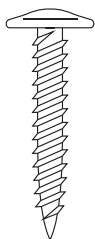


- This table shows the fasteners available from Epic Steel. Refer to the panel installation and flashing details of this manual for specific screw usage and spacing.
- Panel attachment screws must be long enough to fully penetrate through the wood roof decking, steel purlins or penetrate solid lumber at least one inch.
- All screws must be coated to provide protection against corrosion.
- Exposed fasteners must have sealing washers and should be the same color as the parts they attach.
- Screws must be properly driven to ensure proper seal and holding strength. Do not underdrive or overdrive the screws.
- Stainless steel rivets are not watertight.

EPIC STEEL

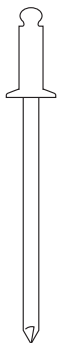
FASTENER SELECTION GUIDE

PANHEAD



- 10 x 12
- Available sizes: 1", (1 1/2" and 2" available by special order)
- Phillips Head
- Use: To fasten standing seam panels and trim to wood deck (unexposed).

STAINLESS STEEL RIVET POP RIVET

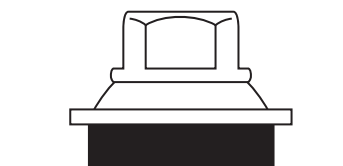


- Available sizes: 1/8" x 3/16"
- Use: Trim attachment

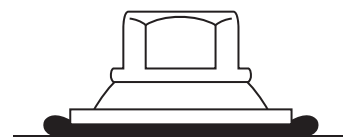
PROPER INSTALLATION OF GASKETED FASTENERS



CORRECTLY DRIVEN



UNDER DRIVEN

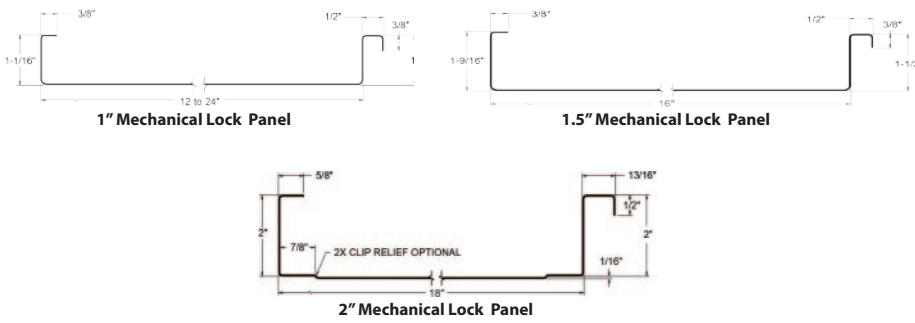


OVER DRIVEN

- This table shows the fasteners available from Epic Steel. Refer to the panel installation and flashing details of this manual for specific screw usage and spacing.
- Panel attachment screws must be long enough to fully penetrate through the wood roof decking, steel purlins or penetrate solid lumber at least one inch.
- All screws must be coated to provide protection against corrosion.
- Exposed fasteners must have sealing washers and should be the same color as the parts they attach.
- Screws must be properly driven to ensure proper seal and holding strength. Do not underdrive or overdrive the screws.
- Stainless steel rivets are not watertight.

EPIC STEEL MECHANICAL LOCK

MATERIAL SPECIFICATIONS



Available Widths:

- 1" Mechanical Lock:** 13", 17", 21"
- 1.5" Mechanical Lock:** 16", 20"
- 2" Mechanical Lock:** 14.19" & 18.19"

Available Gauges:

Weight: 1.25lbs/SqFt (22), 1.00lbs/SqFt (24), .75lbs/SqFt (26)

Substrate:

Available Materials: Painted, Galvalume, Bonderized®, Core-Ten™, 16 & 20 oz Copper

Paint Systems: Durapon70™ PVDF, ULTRA CLAD™ Kynar500®/Hylar5000® Valspar Fluropon®

Warranties: Durapon70™ PVDF – 35 year
ULTRA-CLAD™ – 35 year
Zincalume® AZ50 – 20 year
Valspar™ PVDF - 35 year
PPG™ SMP - 40 year

Production Options: Either factory made to length with protective film to ensure damage free transport or rolled to length on site*

On site production is subject to order minimums

Panel Options: Flat Panel and Striations (flat panel requires a waiver)

Testing For 2" Mechanical:



- UL 580 Wind Uplift (Class 90)
- UL 2218 Class 4 Hail Impact
- UL 790 Class A Fire Rating

- ASTM E1680
- ASTM E1646
- ASTM E1592

Please Note: It is the responsibility of the builder to ensure that they are compliant with current building codes.

LOAD TABLES

Load = Positive Load

DEFp = Positive Deflect

Width : 14" Panels Alloy : 50 KSI Galvalume Thickness : 24 GA

Allowable Uniform Live Load (PSF) Span Length (Feet)

Span Type	Load Type	2.00	2.50	3.00	3.50	4.00	4.50
Simple & Double Span	LOAD	170.8	132.6	120.1	103.7	90.4	78.7
	DEFp	--	1070.5	622.3	391.1	262.8	184.5
Triple Span	LOAD	235.5	188.0	156.5	130.5	100.5	79.0
	DEFp	--	1714.4	966.1	626.3	420.0	295.5
Span Type	Load Type	5.00	5.50	6.00	6.50	7.00	7.50
Simple & Double Span	LOAD	67.8	63.5	53.5	44.7	38.4	33.8
	DEFp	134.2	101.0	77.8	61.1	48.9	39.8
Triple Span	LOAD	64.4	51.8	44.0	40.4	34.7	29.7
	DEFp	214.9	161.8	124.5	97.8	78.3	63.7

1. Allowable load per deflection based on L/180

2. Formula's used for flexure & deflection are as follows;

Simple & double span,

MP = 0.125wl², & Δ = 0.013wl⁴/EI

Triple span,

MP = 0.08wl², & Δ = 0.069wl⁴/EI

3. Allowable uniform loads are determined per the following;

a. Local & overall buckling - AISI C3.1.2

b. Allowable shear stress (Fv) - AISI C3.2

c. Combined bending & shear - AISI C3.3

d. Combined bending & web crippling - AISI C3.5

4. Allowable loads may be increased 33% for wind loads.

5. Min. panel support bearing length = 3 inches.

6. Allowance has been made for panel Dead Weight.

7. For all loads, use LOWEST value between Load & Deflection,

Load Table Designations,

(p) Positive bending

(n) Negative bending

APPLICATION DETAILS:

1" Mechanical Lock Panel

Installation: : Can be installed on solid wood decking

Minimum Slope: 2:12 (Hot melt required below 3:12)

1.5" Mechanical Lock Panel

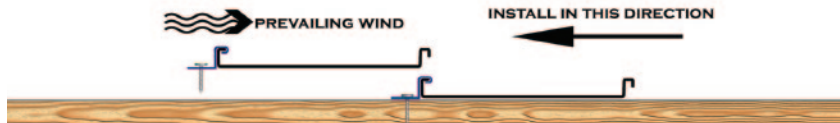
Installation: : Can be installed on solid wood decking

Minimum Slope: 2:12 (Hot melt required below 3:12)

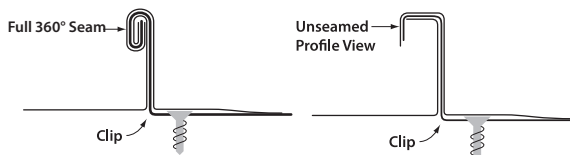
2" Mechanical Lock Panel

Installation: Can be installed over open frame steel purlins, steel decking, steel decking with polyiso board, or solid wood decking

Minimum Slope: 1/2" :12 (Hot melt required below 3:12)



*Clip Spacing (solid deck) 2' on center



****Epic Steel is neither partially or solely responsible for improper installation or defects as a result of installation****

****Oil Canning is not a reason for rejection of panels****

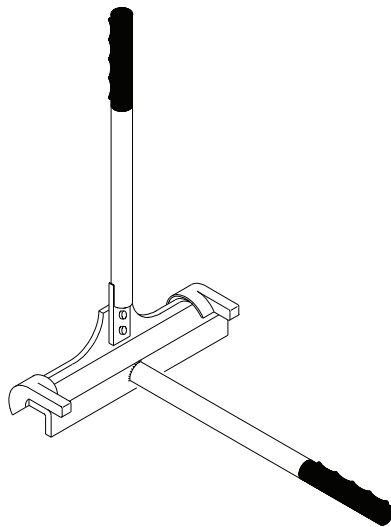
EPIC STEEL

MECHANICAL LOCK

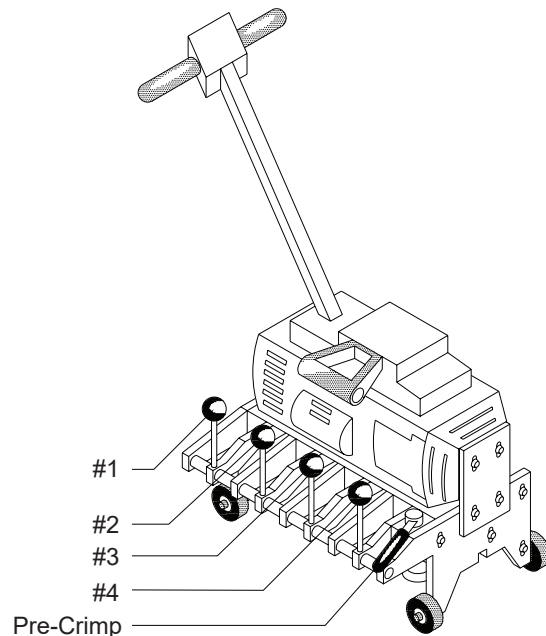
SEAMING PANELS

The Mechanical Lock panel system requires the use of a mechanical seamer for proper installation. The mechanical seamer runs from ridge to eave with the Mechanical Lock panels laid from left to right. This necessary seamer is designed to seam the panel clips and the vertical legs of the panel together for weather tightness and resistance to wind uplift loads.

- Rental or purchase of the Mechanical Lock seamer and hand crimpers for field seaming are the responsibility of the Installer.
- Read the field manual that is enclosed in the case with the seamer. The operator should adhere to all instructions for proper use of the seamer. Failure to follow the required instructions may result in damage to the panel and/ or seamer. Epic Steel will not be responsible for damage incurred by improper use of the seamer.
- All panel side laps should be seamed with mechanical seamer as soon as possible, after the panels have been installed. Hand crimping the panel side laps 8" at the eave, end lap, and ridge locations of the panel in place during normal erection, but will not prevent the panels from being blown off the roof by moderate strong winds.
Do not hand crimp panel at any clips or locations other than the ridge, endlap and eave locations.
- Prior to seaming panels check all seams making sure they are properly engaged. All dirt, debris, and excess sealant should be removed from flat part of panel and seams. At endlap conditions, panels must be hand crimped only.
- Run sufficient power to the roof to operate the seamer. If the job site is a long distance from the roof or if the roof is large, consider using a portable generator placed on the roof near the seam. Do not overload or damage the roof with the generator unit. Be sure to follow OSHA and local electrical codes when installing generator.



HAND CRIMPER



MECHANICAL SEAMER

****Please contact us for more information.***

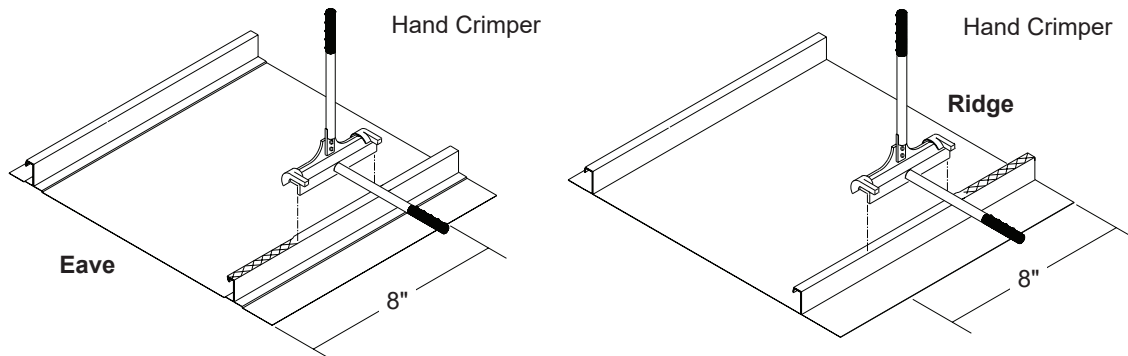
EPIC STEEL MECHANICAL LOCK

SEAMING PANELS

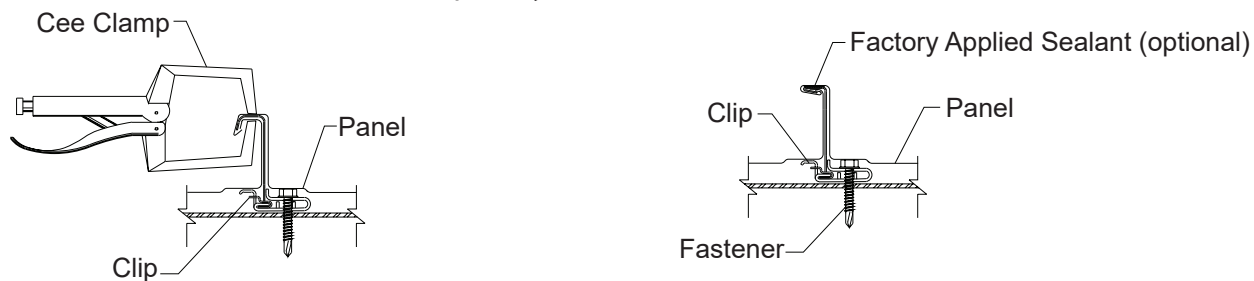
When panels are installed from left to right, electric seamer operates from ridge to eave.

Steps:

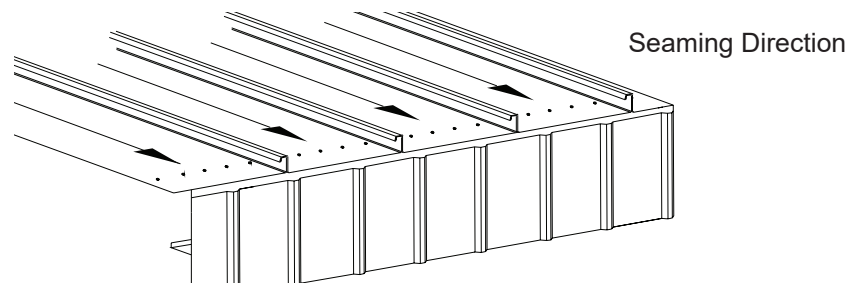
1. To start seaming, hand crimp first 8" of seam at eave, end lap, and ridge locations only.
Do not hand crimp at clip locations.



2. Position mechanical seamer over hand crimped roof seam at ridge location so that the levers are on the same side of the seam that is to be crimped by the mechanical seamer.



3. Engage roller levers in the following order: #1, #2, #3, #4 and then the roller lever. Pre crimp lever may need to be held down to avoid scratching the panel.



4. Prior to running seamer, check to make sure Mechanical Lock panels are full engaged along the entire run of the panel. Small c-clamps may be required on the horizontal portion of the seam to hold panel seam engaged while seaming.
5. Turn on the power to seamer and walk with the seamer as it seams the panel. Stop the seamer in the first few feet to ensure proper seam is being achieved. Turn the mechanical seamer off before the hand crimped area of the end lap. Remaining seam between hand crimped portion and mechanically seamed portion may have to be hand crimped for continuous tight seam.
6. At the end of the first run, remove the mechanical seamer and return to step #1 for remaining panels.
7. At completion of seaming, repack tool and return to the seamer company.

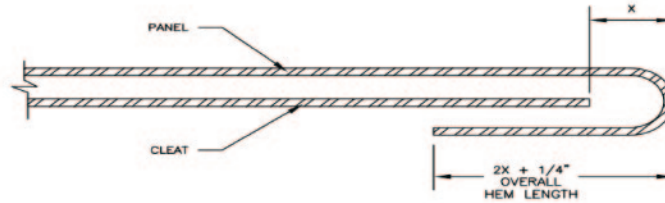
***CAUTION Do not run the seamer off the end of the panel. If the seamer is run off the end of the roof it could cause injury to personnel and damage the roof or the seamer.**

EPIC STEEL MECHANICAL LOCK

HEM LENGTHS

A standing seam roof panel experiences changes in panel length with changes in panel temperature. One end of the panel is fixed to the substrate while the other end is free to move. The panel end that is free to move requires a hem that engages a cleat that is fixed to the substrate. The hem and cleat permit the panel end to move along the plane of the roof while holding the panel flat.

The thermal movement also requires proper design of the hem and cleat. The length of the hem needed at the end of a panel will vary with the temperature range that the panel experiences and the length of the panel. Unless a more exact analysis of the temperature during installation compared to the anticipated temperature range is conducted, use the following equation and the Thermal Movement Table. When installing panels, be sure to leave room at the end of the cleat. Be sure that the hem is not tight against the cleat (unless the panels are being installed in the coldest temperatures the panel will experience). Also be sure that the lower edge of the hem will not contact any flashings when the panels contract.



THERMAL MOVEMENT TABLE

PANEL AND SUBSTRATE MATERIALS	PANEL LENGTH (FT.)			REQUIRED AIR SPACE (X)
	10'	50'	100'	
Steel on Rigid Insulation	1/8"	1/2"	7/8"	
Steel on Wood	1/16"	3/8"	5/8"	
Steel on Steel	1/16"	3/8"	5/8"	
Steel on Concrete	1/16"	3/8"	1/2"	
Aluminum on Rigid Insulation	3/16"	7/8"	1 9/16"	
Aluminum on Wood	3/16"	11/16"	1 3/8"	
Aluminum on Steel	1/8"	5/8"	1 3/16"	
Aluminum on Concrete	1/8"	5/8"	1 1/4"	

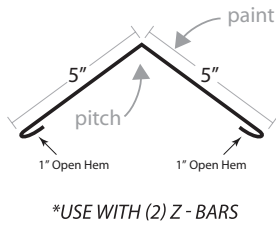
This table assumes a temperature change of 100°F for the panel and 50°F for the substrate.

EPIC STEEL MECHANICAL LOCK

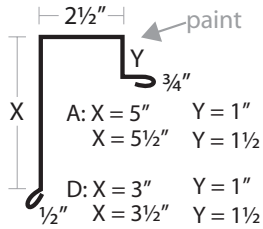
TRIM PROFILES

10'0" STICK

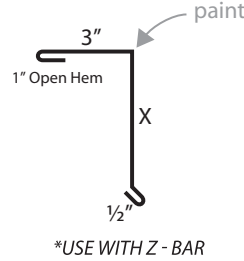
Hip Ridge



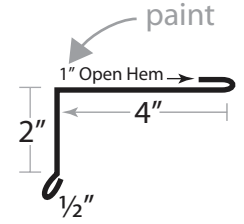
Box Gable



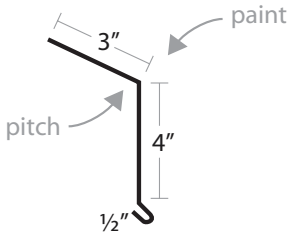
Z-Bar Gable



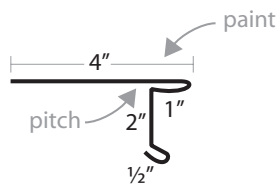
Locking Flush Gable



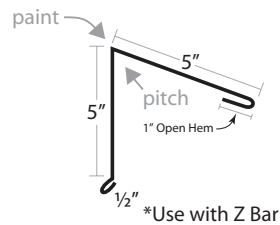
Eave (Style A Fascia)



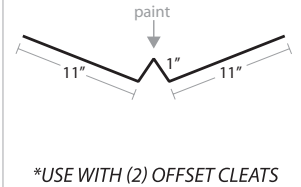
Style-D Eave



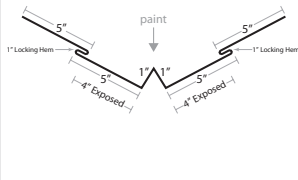
High Eave



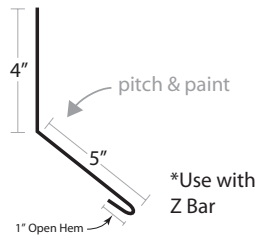
W-Valley



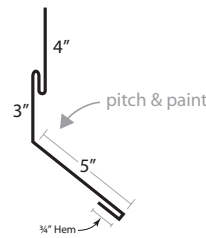
Locking W-Valley



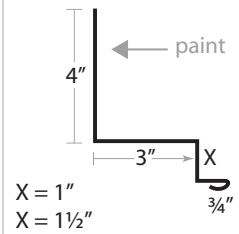
Endwall



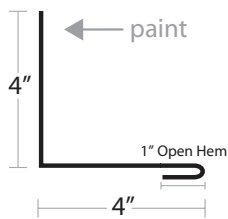
Locking Endwall



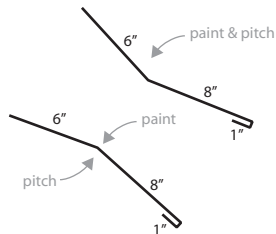
Box Sidewall



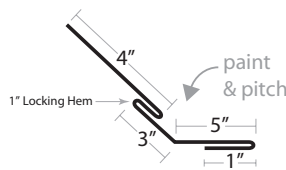
Locking Sidewall



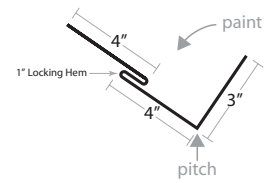
Upper / Lower Transition



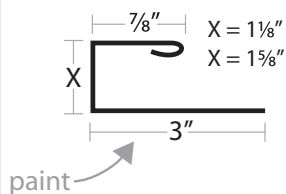
Locking Transition



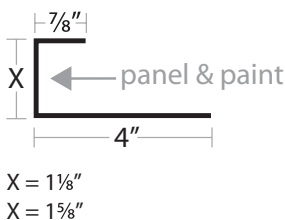
Chimney / Skylite Flashing



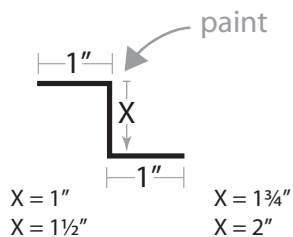
J-Metal



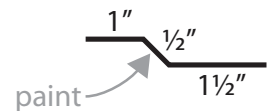
J-Bar



Z-Bar



Offset Cleat



**Details are subject to change without notice.*

EPIC STEEL MECHANICAL LOCK

STYLE D EAVE

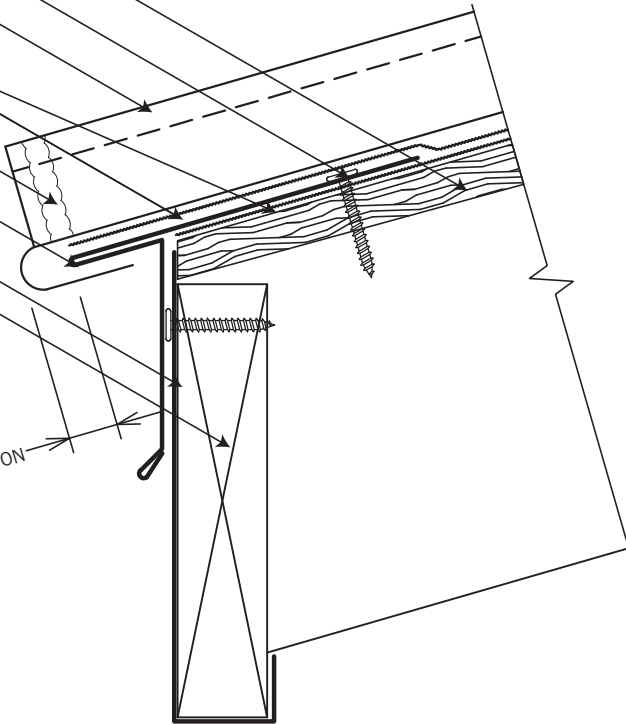
PLYWOOD SUBSTRATE
#10 X 1" PANCAKE HEAD
SCREWS @ 12" O.C.

PANEL
APPROVED
UNDERLAYMENT
APPROVED SEALANT
BETWEEN SEAMS

EAVE TRIM
FASCIA TRIM (IF REQ'D)
TRIM BOARDS,
BY OTHERS

ALLOW FOR
THERMAL EXPANSION

NOTE:
MIN. 4" LAP ON ALL FLASHING.
APPROVED SEALANT IN ALL
FLASHING LAPS.



STYLE D EAVE W/ GUTTER

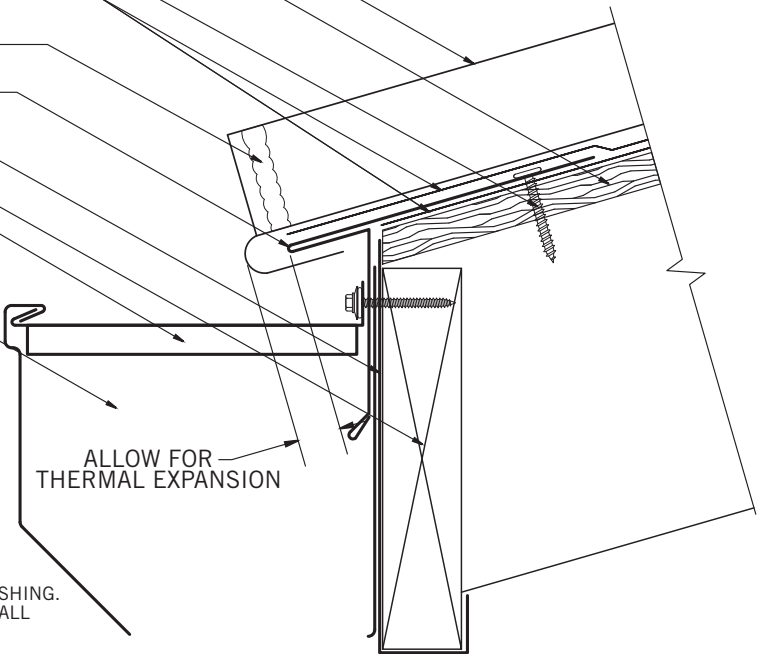
PANEL
PLYWOOD SUBSTRATE
#10 x 1" PANCAKE HEAD
SCREWS @ 6" O.C.

APPROVED
UNDERLAYMENT
APPROVED SEALANT
BETWEEN SEAMS
EAVE TRIM

FASCIA TRIM
(IF REQ'D)
TRIM BOARD,
BY OTHERS
GUTTER HANGER W/
SELF SEALING
WASHER, 24" O.C. MAX.
GUTTER
SYSTEM

ALLOW FOR
THERMAL EXPANSION

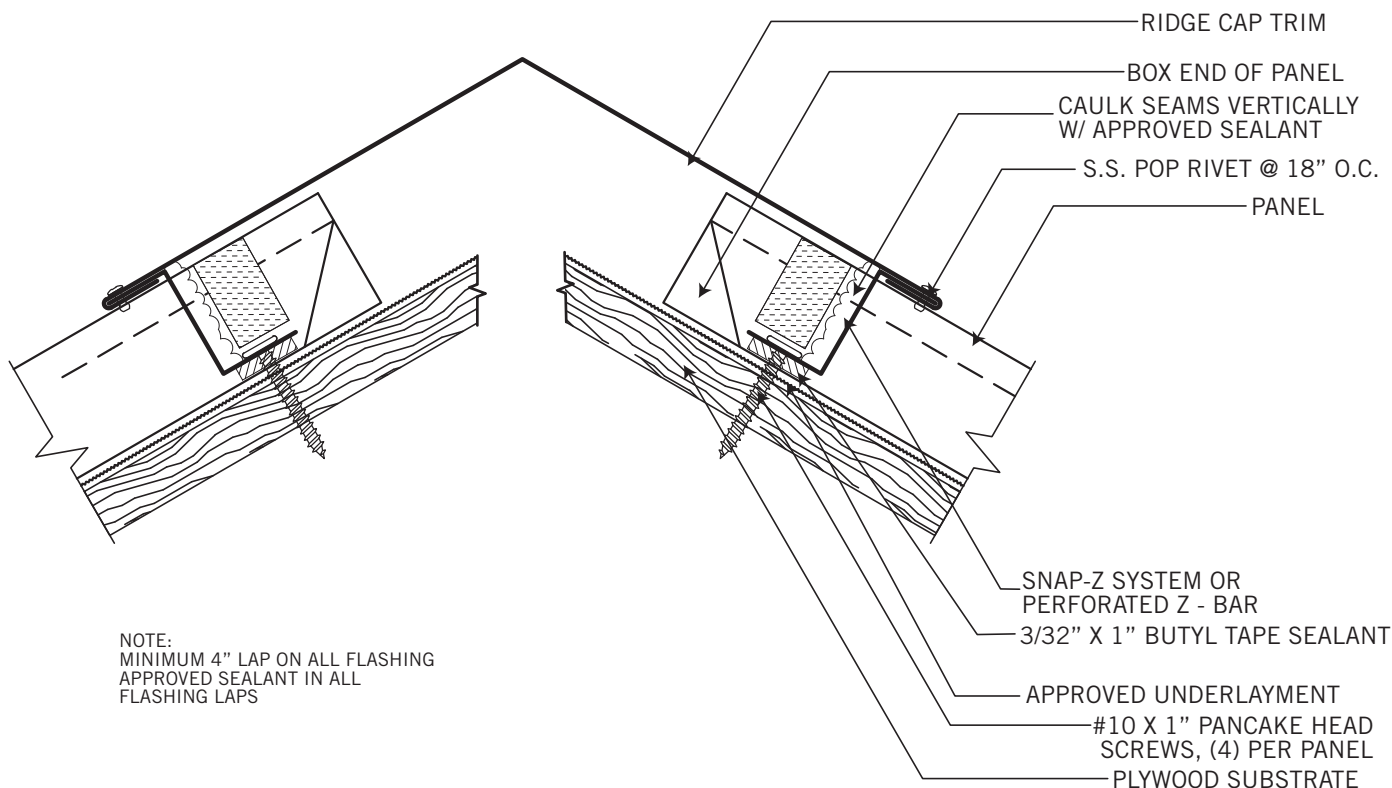
NOTE:
MIN. 4" LAP ON ALL FLASHING.
APPROVED SEALANT IN ALL
FLASHING LAPS.



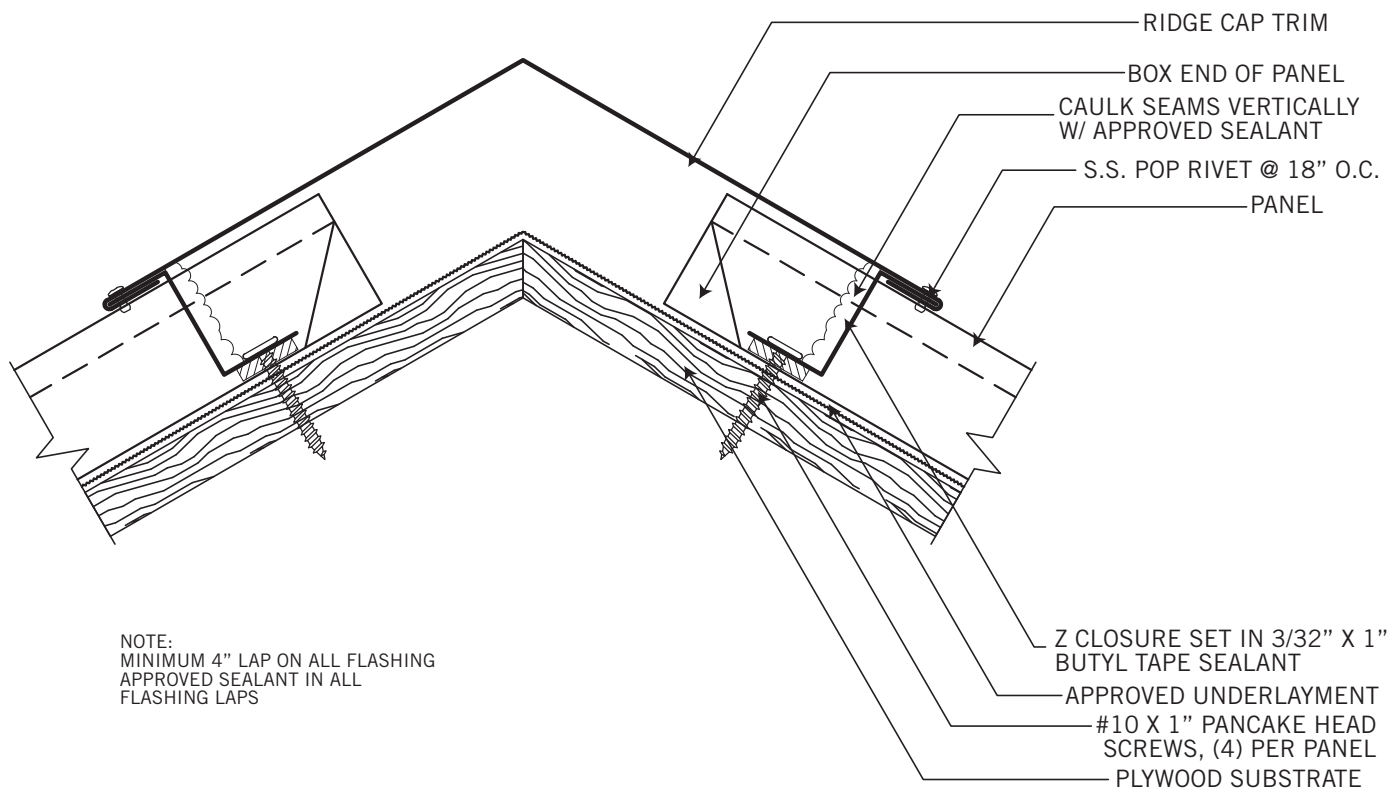
**Details are subject to change without notice.*

EPIC STEEL MECHANICAL LOCK

VENTING HIP / RIDGE



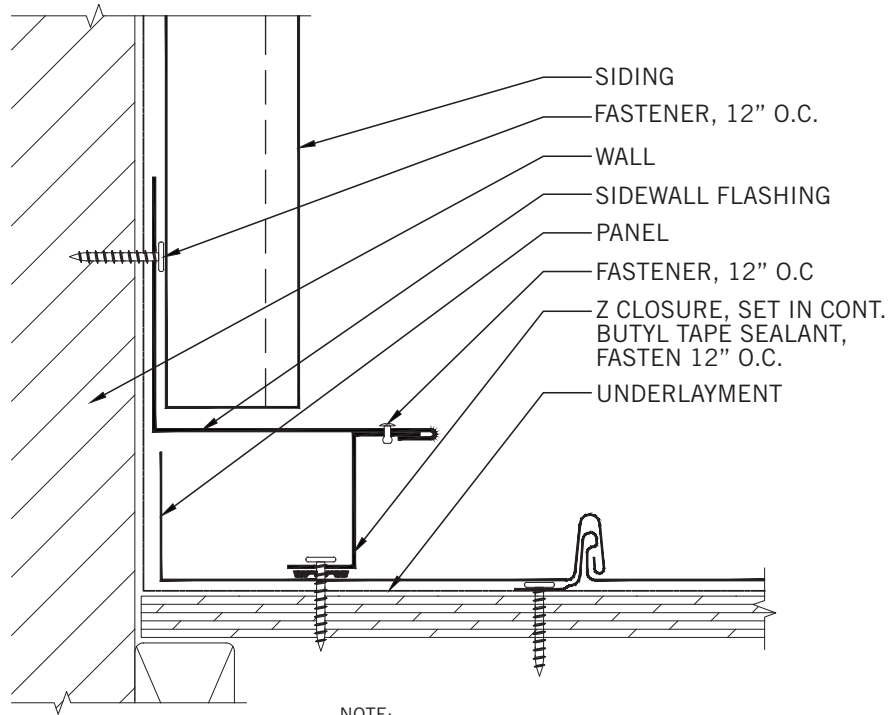
HIP / RIDGE



**Details are subject to change without notice.*

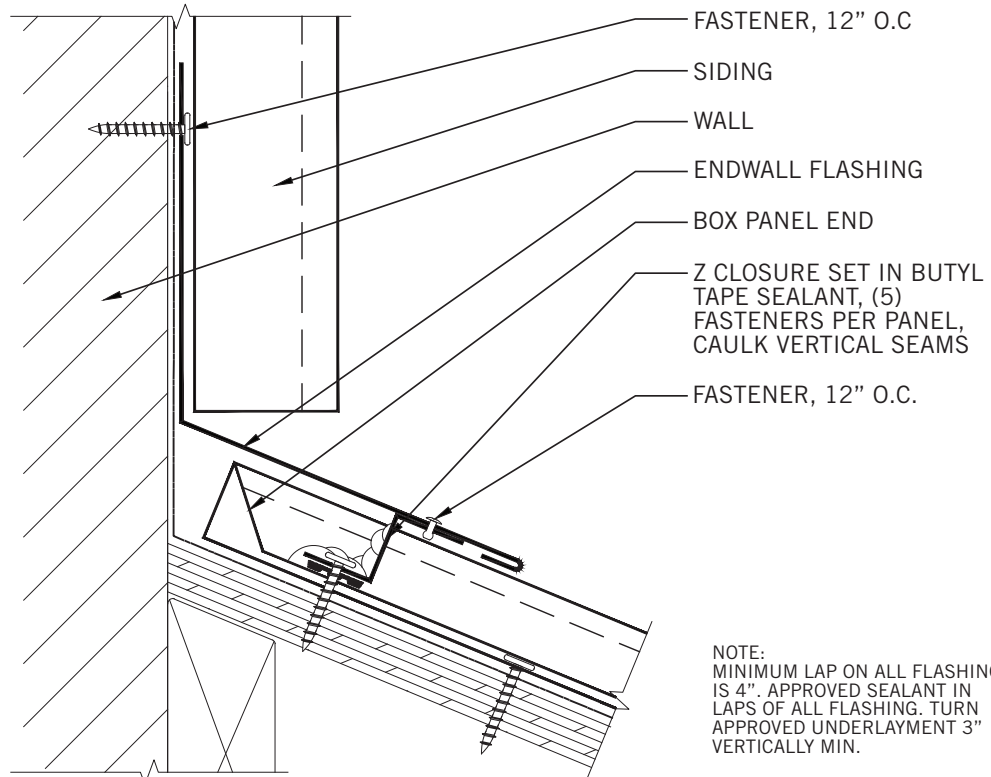
EPIC STEEL MECHANICAL LOCK

LOCKING SIDEWALL



NOTE:
MINIMUM LAP ON ALL FLASHING IS 4". APPROVED SEALANT IN LAPS OF ALL FLASHING. TURN APPROVED UNDERLAYMENT 3" VERTICALLY MIN.

LOCKING ENDWALL

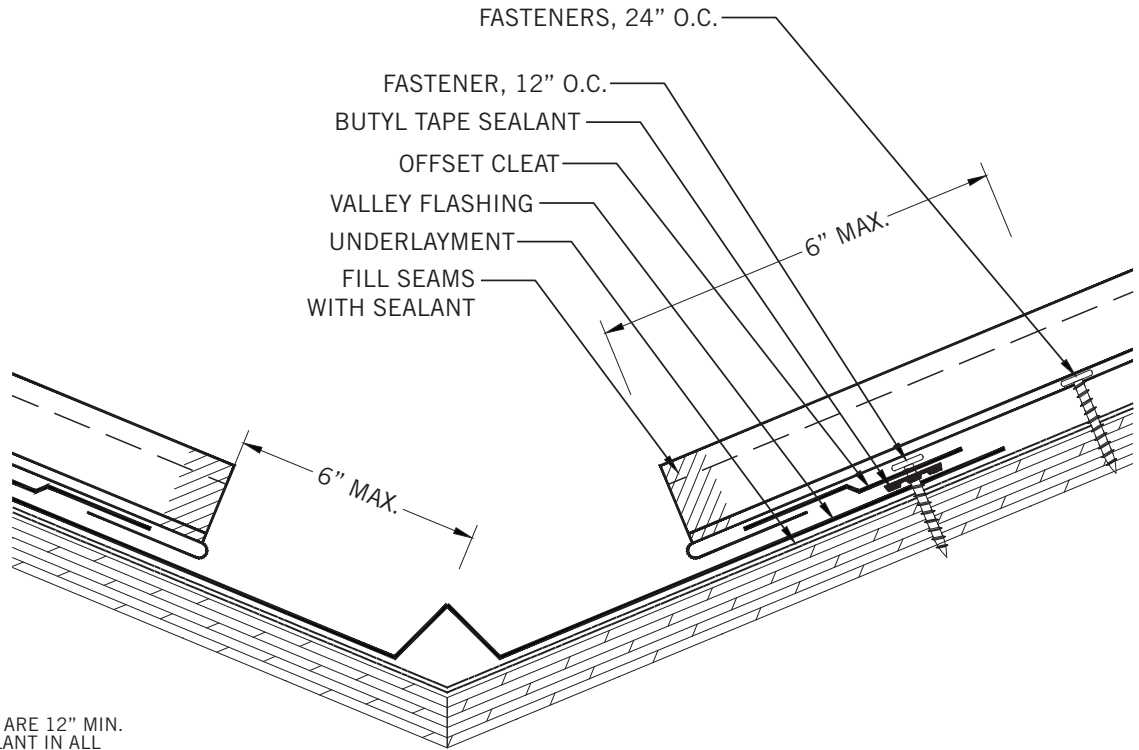


NOTE:
MINIMUM LAP ON ALL FLASHING IS 4". APPROVED SEALANT IN LAPS OF ALL FLASHING. TURN APPROVED UNDERLAYMENT 3" VERTICALLY MIN.

**Details are subject to change without notice.*

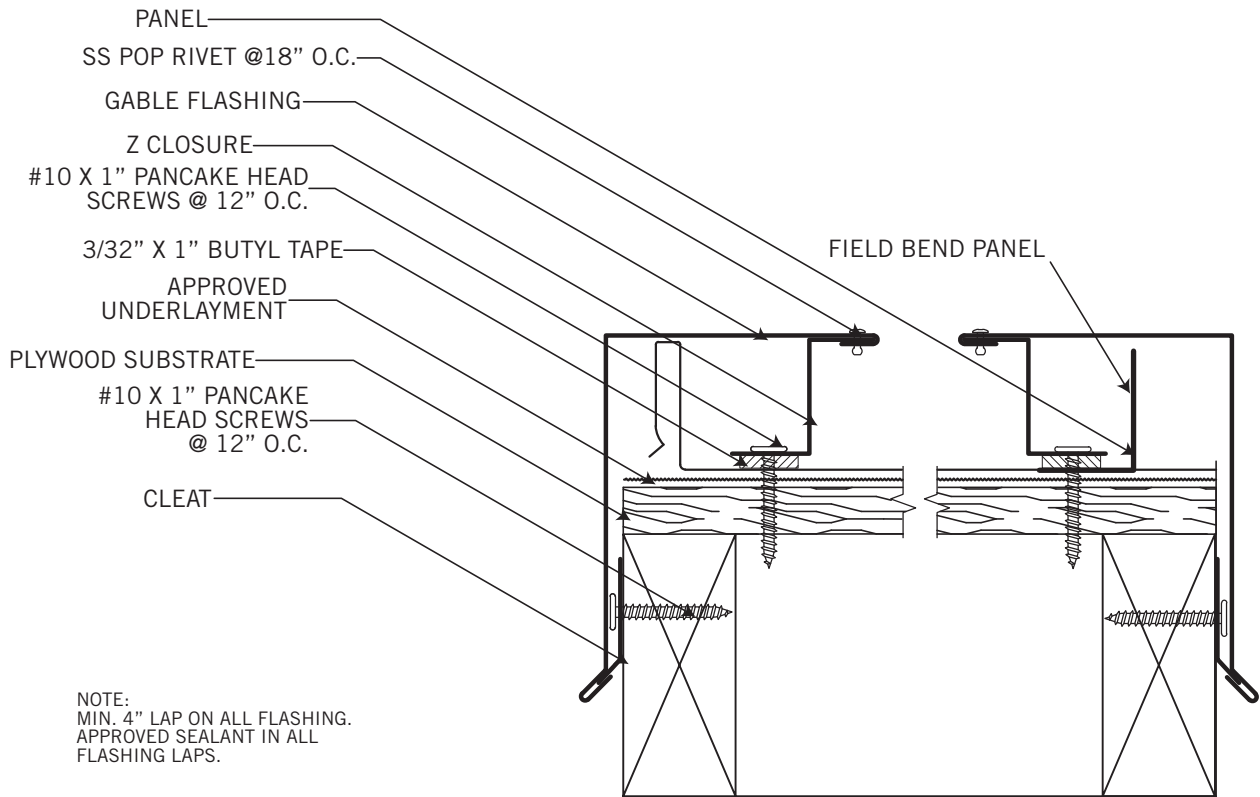
EPIC STEEL MECHANICAL LOCK

W - VALLEY



NOTE:
LAPS IN VALLEY ARE 12" MIN.
APPROVED SEALANT IN ALL
LAPS IN VALLEY. TWO ROWS OF
SEALANT BETWEEN VALLEY LAPS,
4" UP FROM LAP.

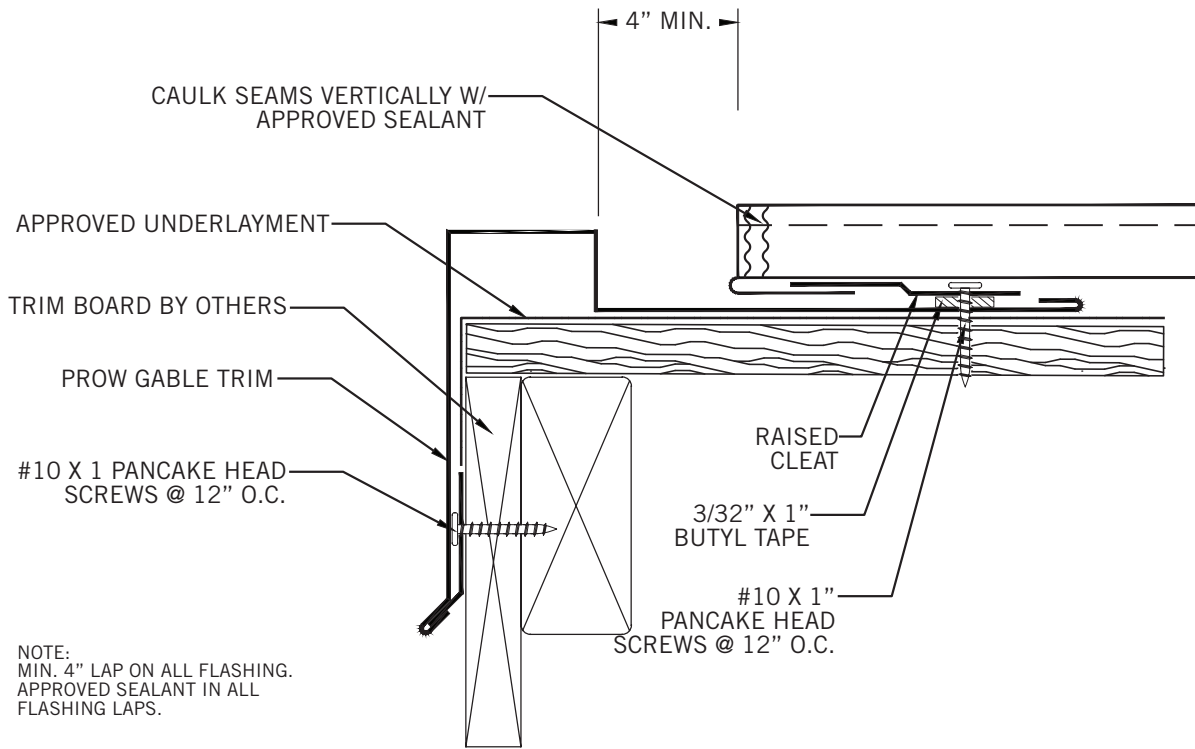
LOCKING GABLE



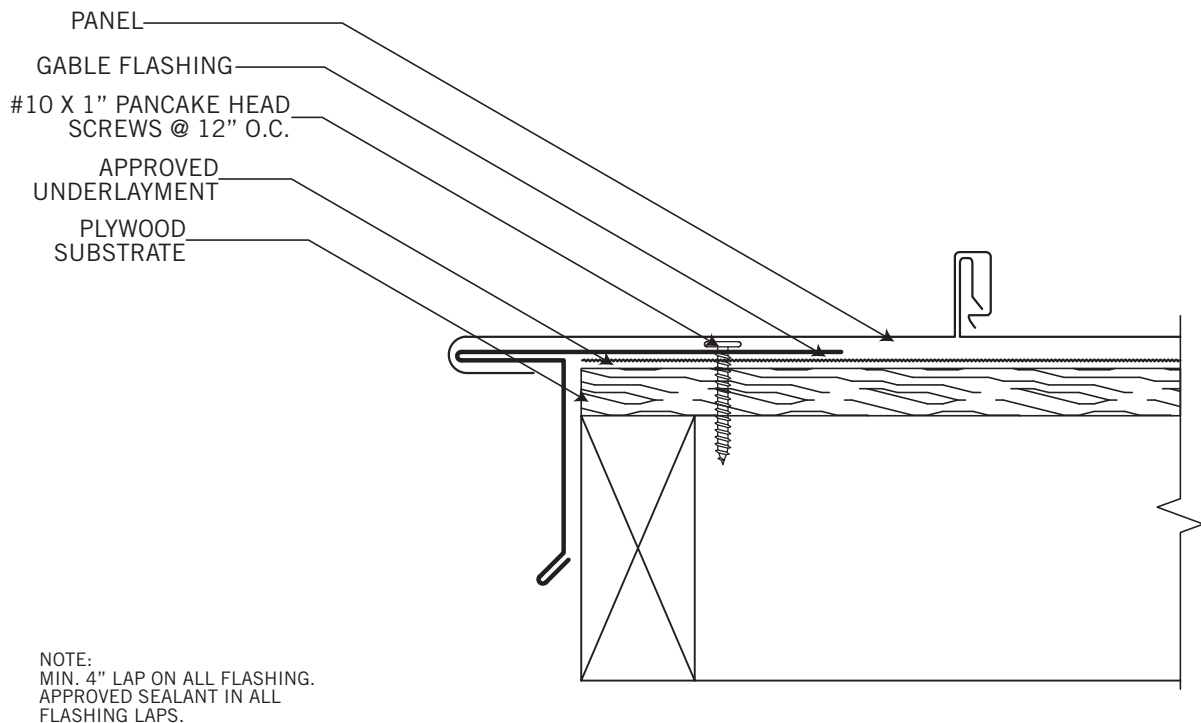
**Details are subject to change without notice.*

EPIC STEEL MECHANICAL LOCK

PROW GABLE



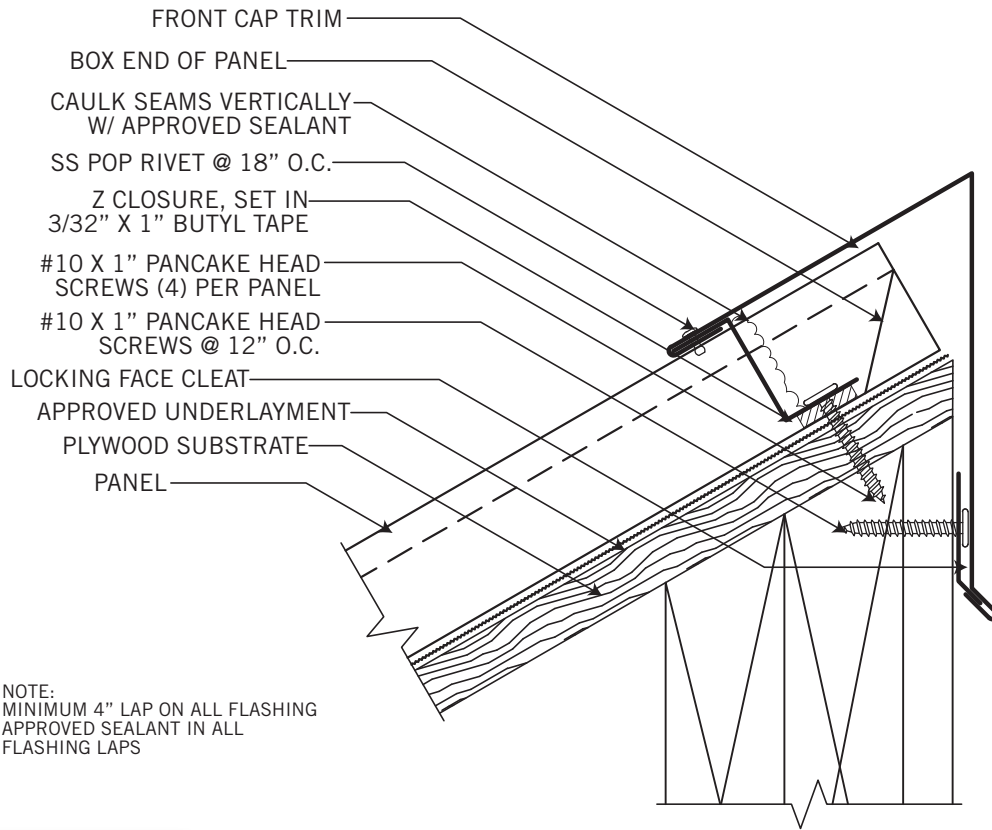
STYLE D AS GABLE



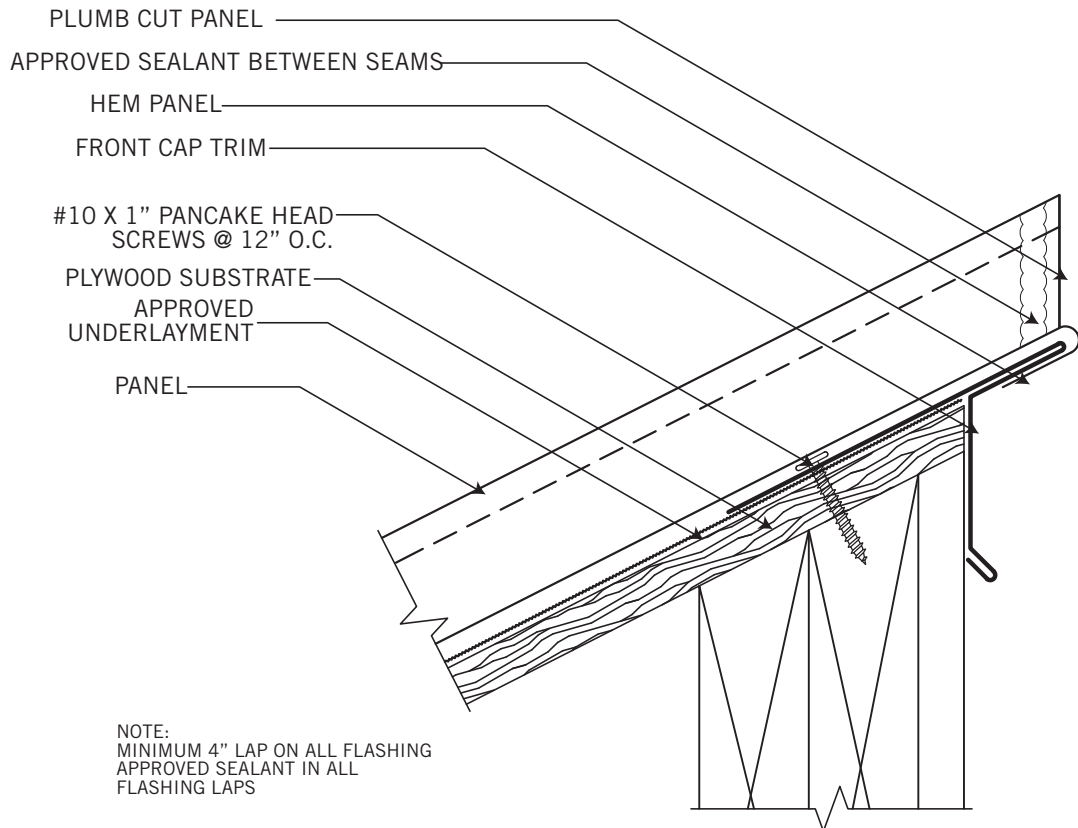
**Details are subject to change without notice.*

EPIC STEEL MECHANICAL LOCK

HIGH EAVE



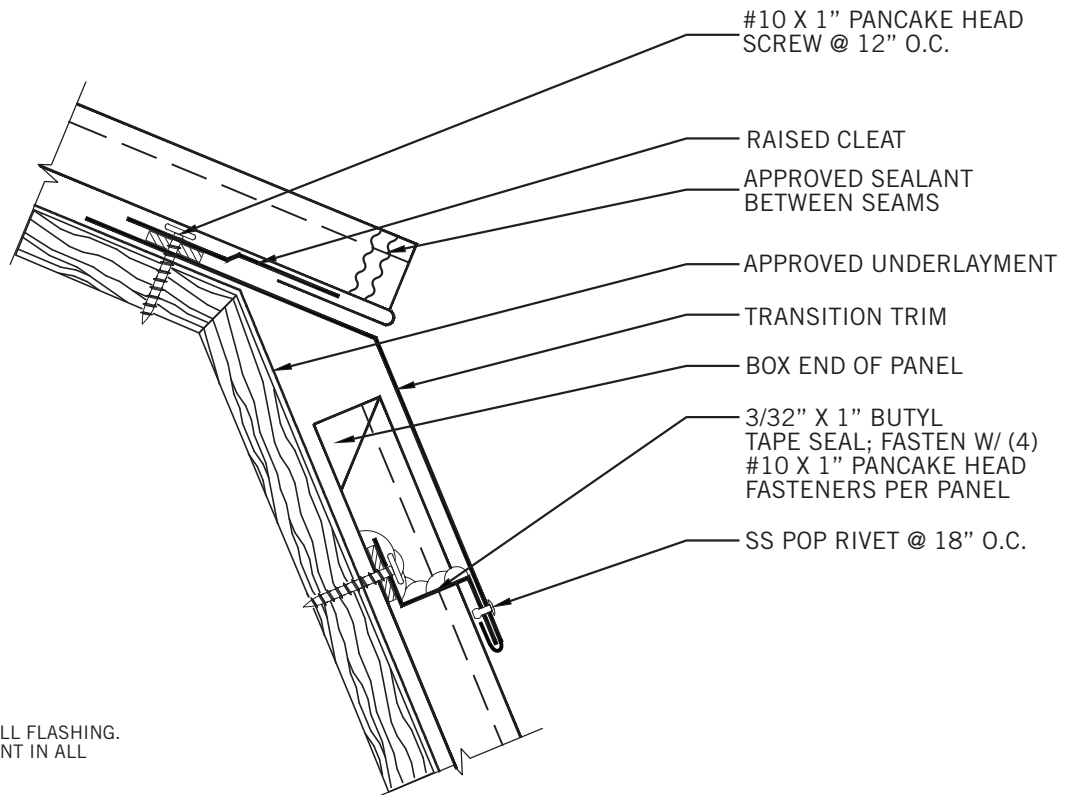
STYLE D AS HIGH EAVE



**Details are subject to change without notice.*

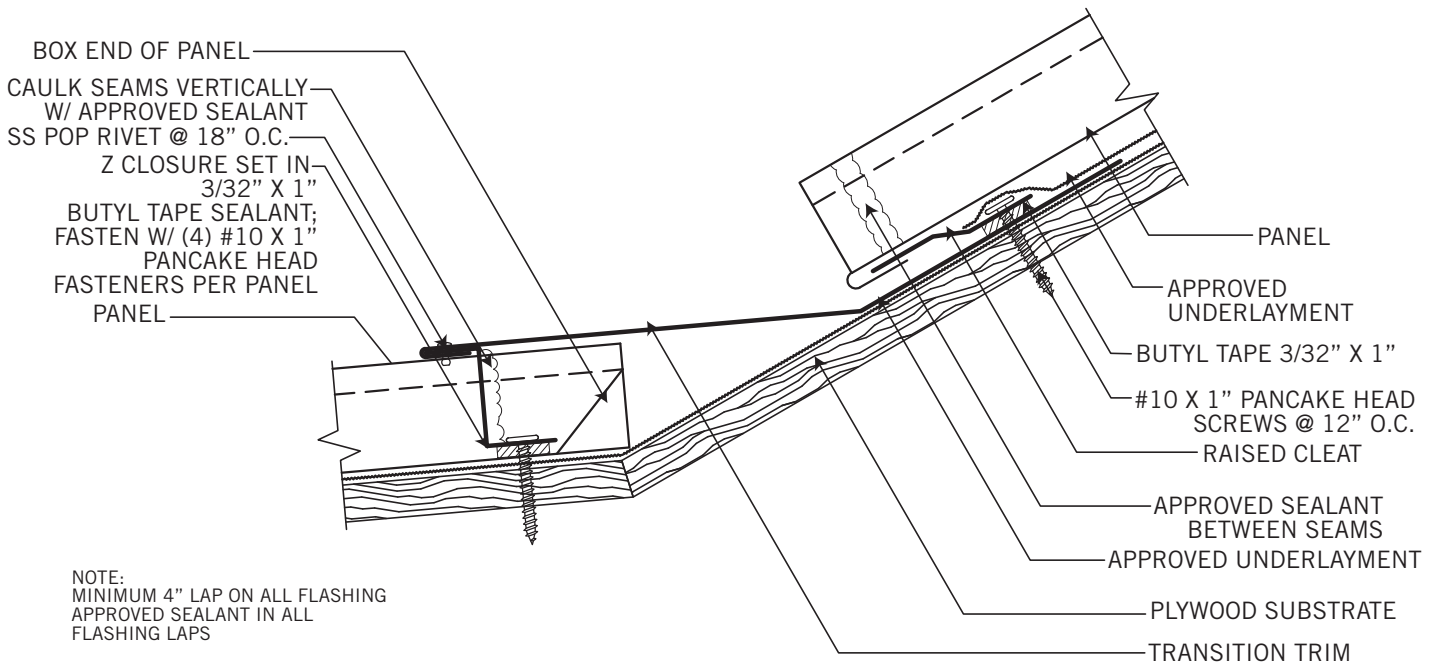
EPIC STEEL MECHANICAL LOCK

STANDING SEAM UPPER TRANSITION



NOTE:
MIN. 4" LAP ON ALL FLASHING.
APPROVED SEALANT IN ALL
FLASHING LAPS.

STANDING SEAM LOWER TRANSITION

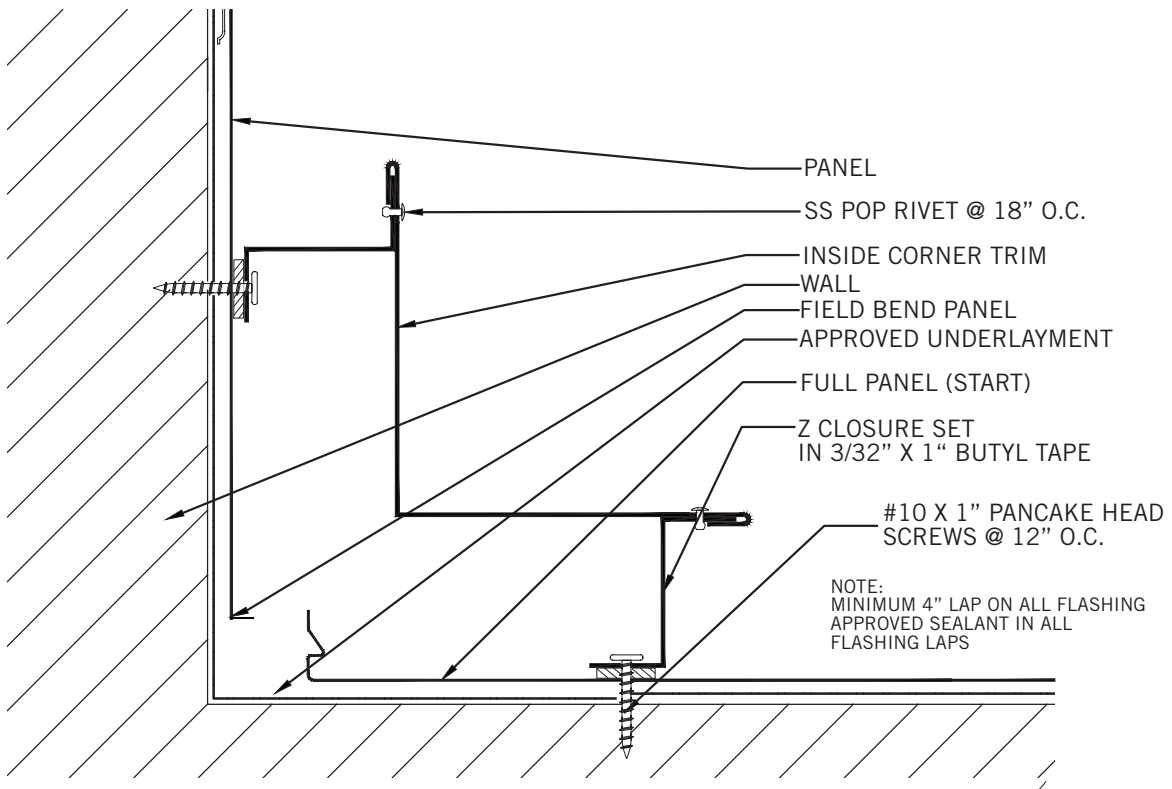


NOTE:
MINIMUM 4" LAP ON ALL FLASHING
APPROVED SEALANT IN ALL
FLASHING LAPS

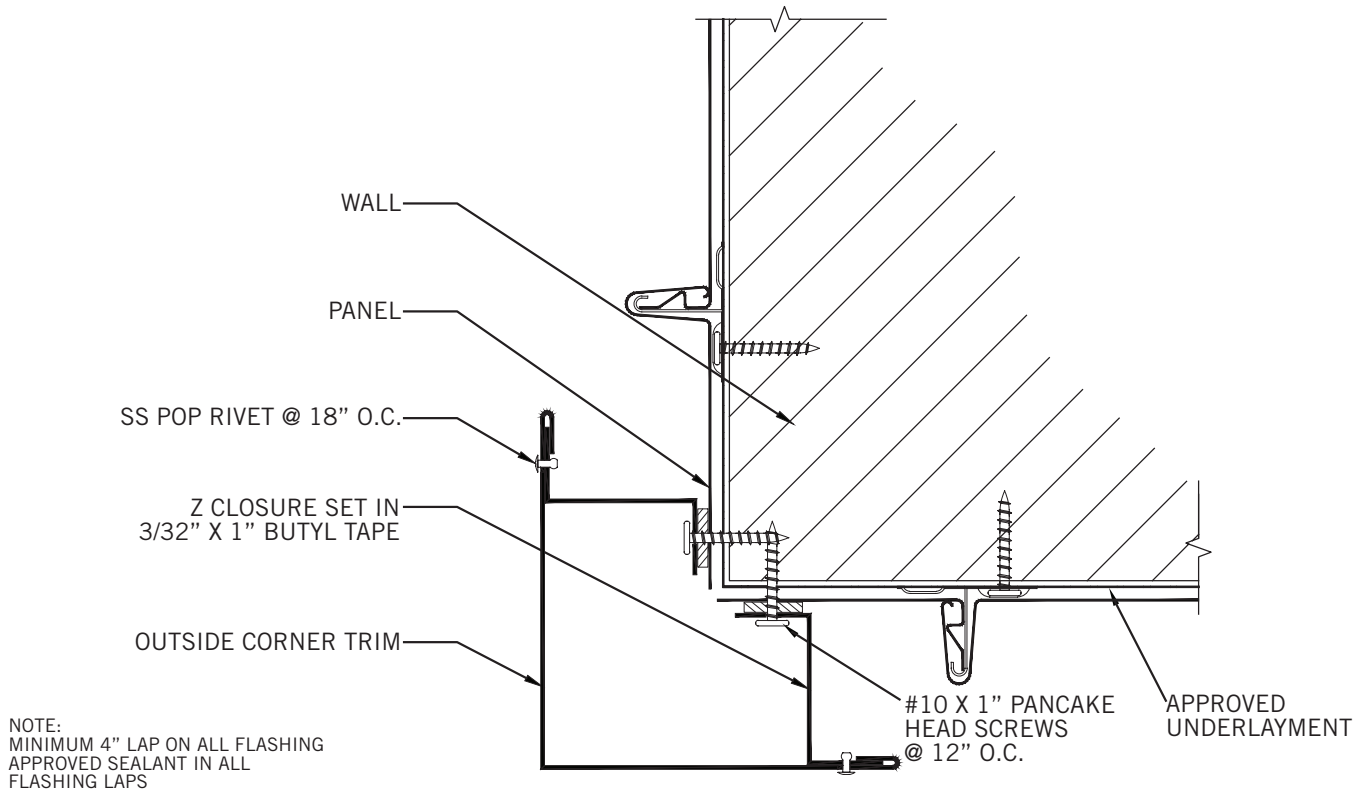
**Details are subject to change without notice.*

EPIC STEEL MECHANICAL LOCK

LOCKING INSIDE CORNER



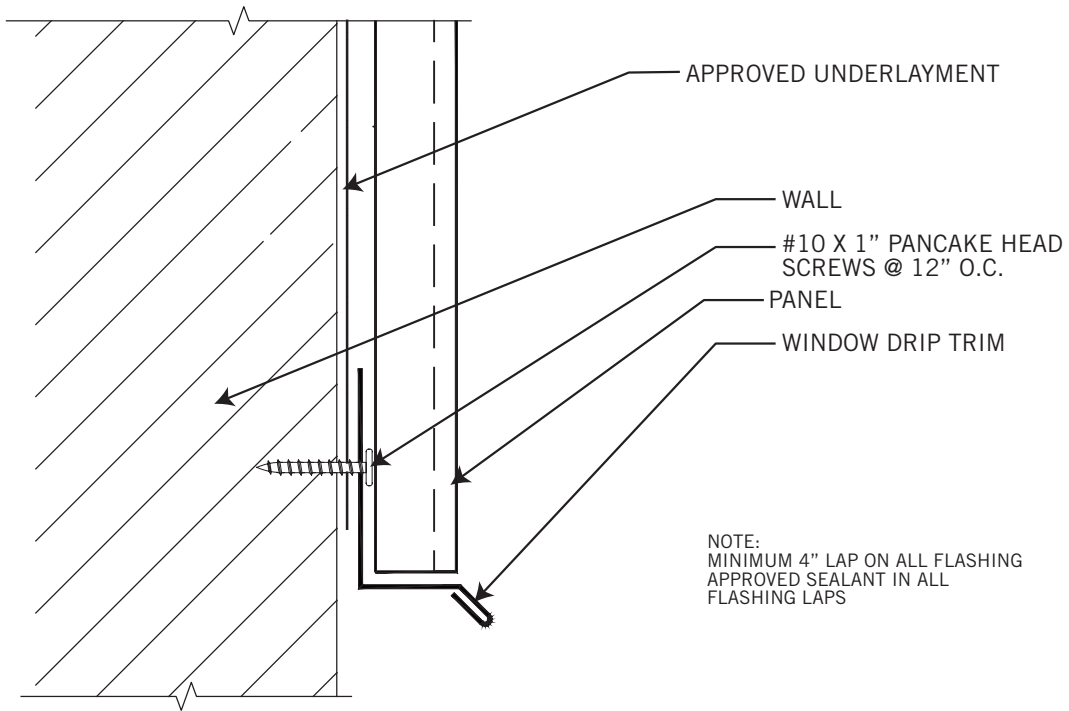
LOCKING OUTSIDE CORNER



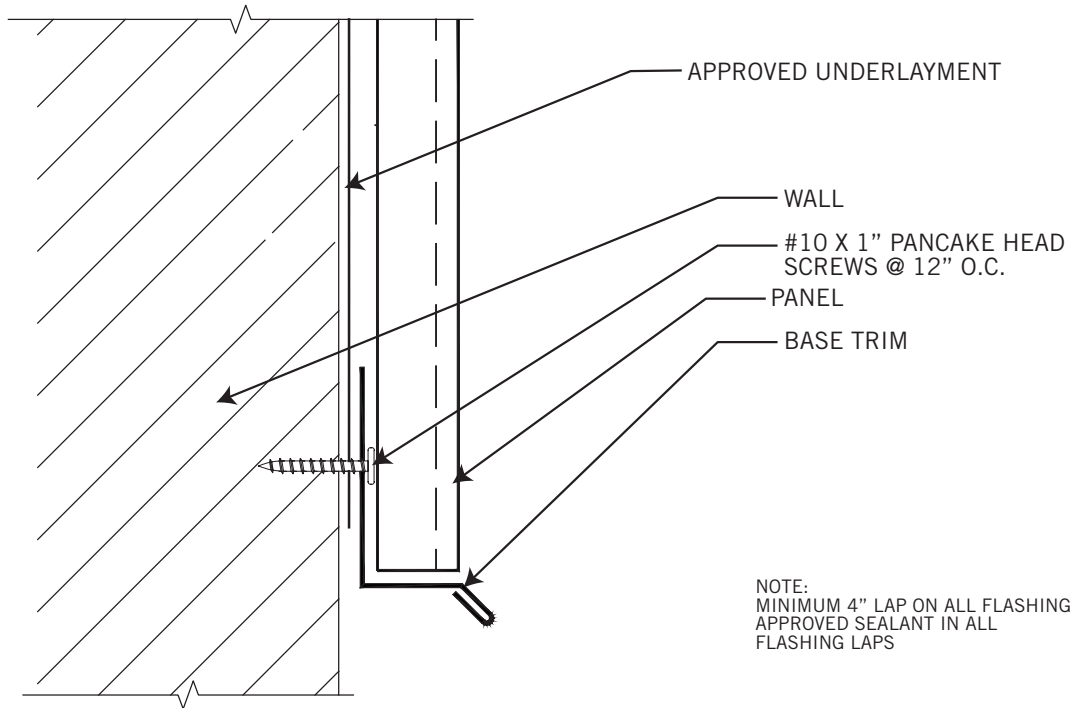
**Details are subject to change without notice.*

EPIC STEEL MECHANICAL LOCK

STANDING SEAM WINDOW DRIP



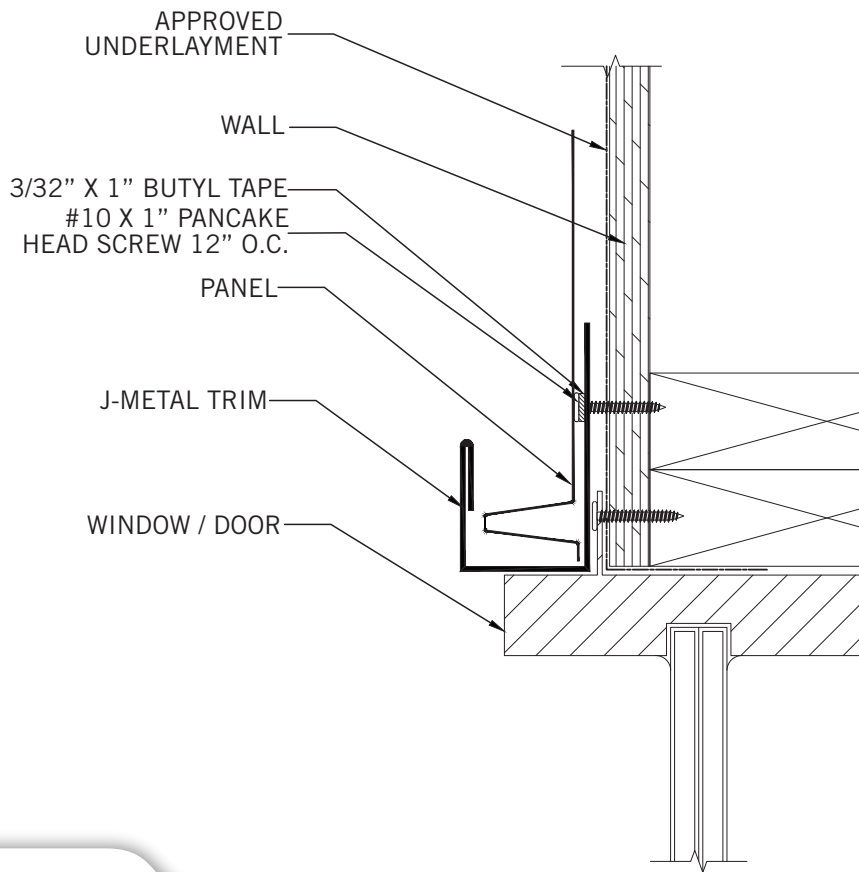
STANDING SEAM BASE TRIM



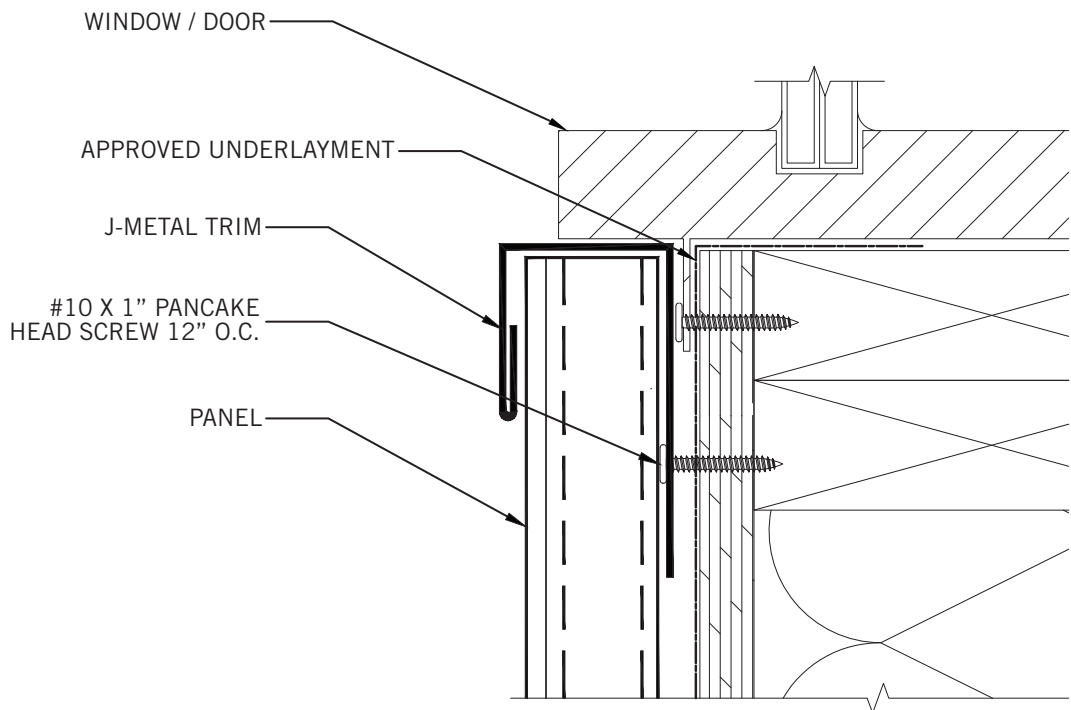
**Details are subject to change without notice.*

EPIC STEEL MECHANICAL LOCK

J - METAL TRIM



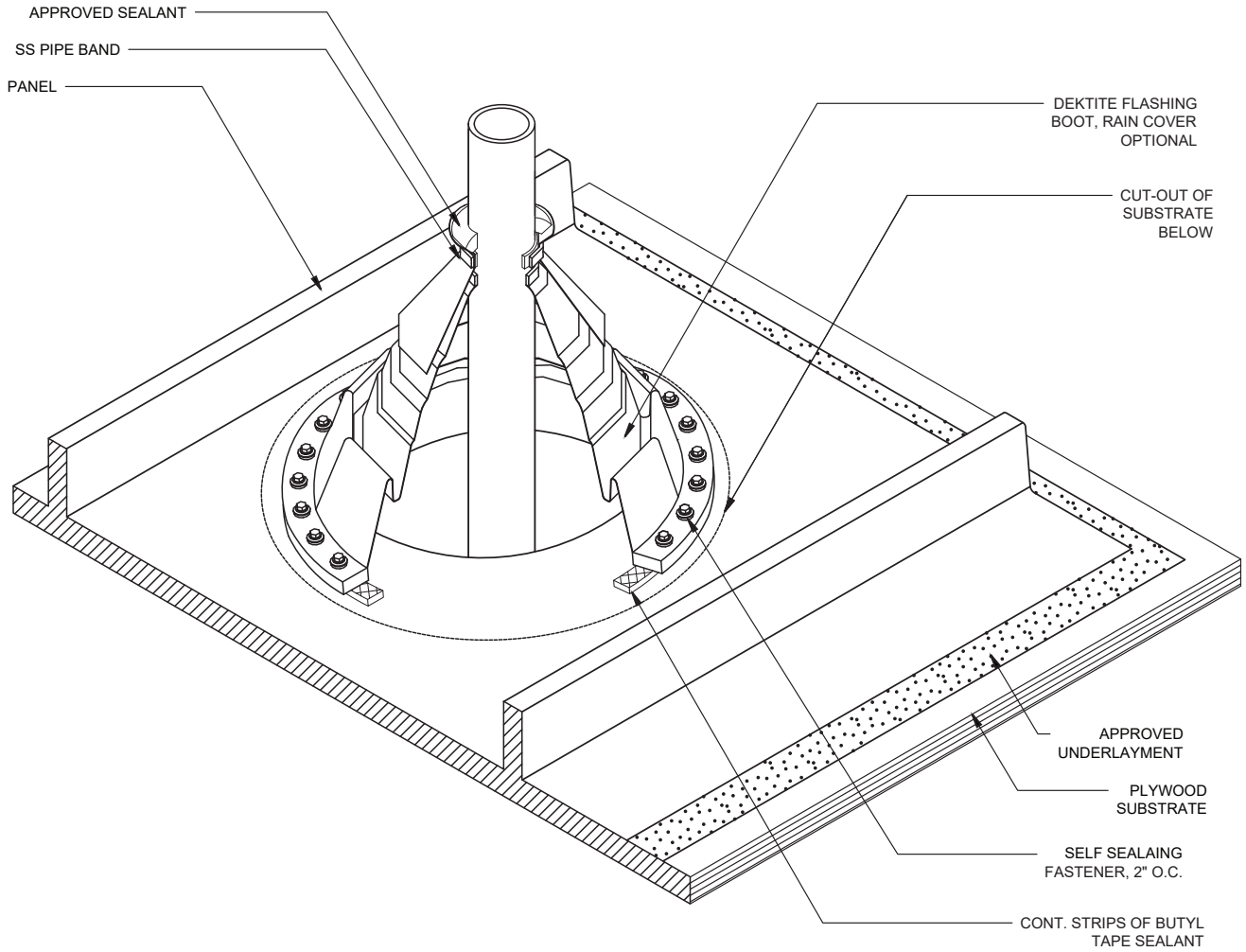
HEADER / SILL TRIM



**Details are subject to change without notice.*

EPIC STEEL MECHANICAL LOCK

PENETRATION DETAIL



**Details are subject to change without notice.*